

6424 H

# DC axial compact fan



## ebm-papst St. Georgen GmbH & Co. KG

Hermann-Papst-Str. 1  
D-78112 St. Georgen  
Phone +49 (0) 7724 81-0  
Fax +49 (0) 7724 81-1309  
info2@de.ebmpapst.com  
www.ebmpapst.com

### Nominal data

Type	6424 H	
Nominal voltage	VDC	24
Nominal voltage range	VDC	12 .. 28
Speed (rpm)	min <sup>-1</sup>	4000
Power consumption	W	26.0
Min. ambient temperature	°C	-20
Max. ambient temperature	°C	55
Air flow	m <sup>3</sup> /h	480
Sound power level	B	7.1
Sound pressure level	dB(A)	63

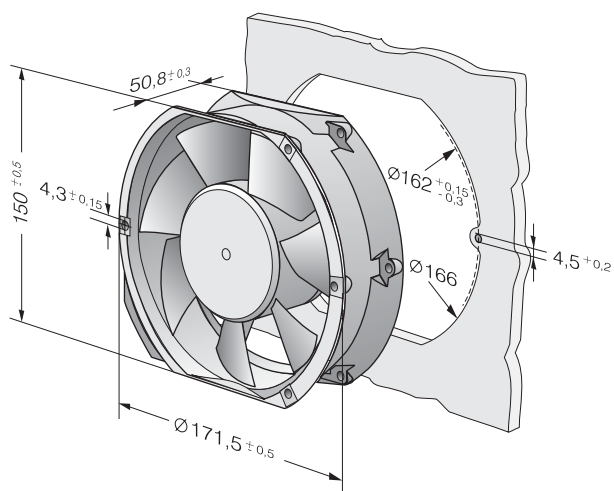
ml = Max. load · me = Max. efficiency · fa = Free air · cs = Customer specification · ce = Customer equipment  
Subject to change



### Technical description

<b>General description</b>	Housing with grounding lug for M4 x 8 screw (Torx) Power consumption when wide open; these values may be considerably higher at the operating point.
<b>Weight</b>	0.760 kg
<b>Dimensions</b>	172 x 150 x 51 mm
<b>Impeller material</b>	Glass-fiber reinforced PA plastic
<b>Housing material</b>	Die-cast aluminum
<b>Airflow direction</b>	Exhaust over struts
<b>Direction of rotation</b>	Counterclockwise, viewed toward rotor
<b>Storage</b>	Ball bearing
<b>Service life L10 at 40 °C</b>	70000 h
<b>Service life L10 at maximum temperature</b>	50000 h
<b>Cable</b>	Flat plug 3.0 x 0.5 mm.
<b>Motor protection</b>	Protection against reverse polarity and blocked rotor.
<b>Locked-rotor protection</b>	Electronic locked-rotor protection, with electronic motor current limitation during startup and when rotor is locked.
<b>Approval</b>	VDE, CSA, UL, CE
<b>Option</b>	Speed signal

## Product drawing



## Curves: Air performance

